



Fireplace Range



We make the difference!

Braai and Fireplace Manufacturer





Built-in Fireplaces | Freestanding Fireplaces
Alpine Fireplaces | Vented Fireplaces
Vent Free Fireplaces | Log Set Products
Fireplace Accessories

Contents

Company Profile	5
Home Fires Fireplaces	5
Built-in Fireplace Range	6
Freestanding Fireplace Range	8
Alpine Open Freestanding Fireplace Range	10
Vent Free Gas Freestanding Fireplace Range	11
Vent Free Gas Built-in Fireplace Range	14
Log Set Products Range	18
Fireplace Accessories	20
Round Stainless Steel Chimney Flue System	21

Whilst every endeavour will be made to supply the goods illustrated in this catalogue, any photograph, description, specification or illustration generally represents Home Fires' goods offered. They do not constitute a sale by description. Home Fires reserves the right to supply similar but not identical goods to those illustrated.

This brochure and the contents thereof, remain the property of Home Fires, and may not be copied or reproduced in any way © 2020.



Company Profile

From its humble beginnings as a one-man business, operating from a small factory in Worcester in 1983, Home Fires has developed into a well-established organization and a market leader in the development of fireplace and braai products. The upgrading of production machinery and equipment and regular injections of operating capital has facilitated penetration into the export market.

Home Fires currently sets the trend of the quality and new design of fireplaces and braais, some of which are patented. All products are stringently tested for durability and affectivity and are confidently guaranteed for 15 years. Further to this, the products can successfully be used in any smoke-free area.



Home Fires Fireplaces

Advantages of a Home Fires Fireplace

- Only "A" - grade hot rolled mild steel of 3mm thickness is used for fire boxes, which ensure a long lasting product and peace of mind.
- Loose easy replaceable fire grids inside the grate basket drastically reduce maintenance costs.
- A large ash drawer in the foot piece of the freestanding fireplace, originally designed by Home Fires, makes cleaning an easy and less frequent task.
- A large ash drawer front on the built-in models' ash drawers, also originally designed by Home Fires, hides away ashes and gives the unit a neat appearance, even after use.
- All fireplaces feature a double or triple back plate, which ensures longevity and incorporates normally a convection cavity.
- Most freestanding fireplaces features both radiant and convection heat systems.
- All built-in fireplaces features both radiant and convection heat systems.
- All built-in fireplaces features an adjustable damper, which is easily controllable from the outside front of the fireplace, without any specialized tools.
- All freestanding fireplaces features an adjustable damper, which is easily controllable from the outside front of the fireplace, without any specialized tools.

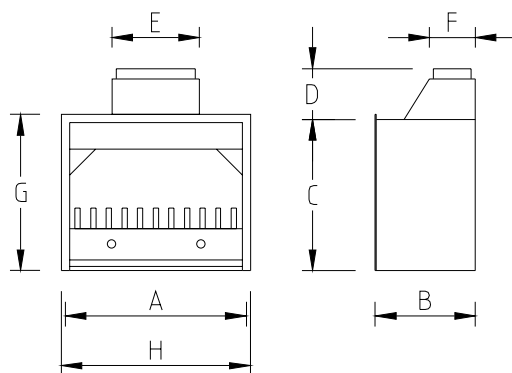


It is most important to read the detailed information and installation instructions supplied with every unit.



Built-in Fireplace Range

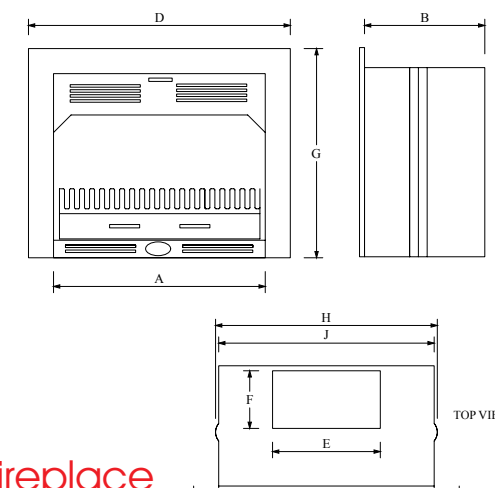
For many people, an open fireplace is the cosiest way to keep warm. A built-in fireplace fitted with a surround and mantelpiece is a beautiful feature in any home. These units are effective and economical fuel users and produce heat by way of convection and radiation. There is something magical about the atmosphere that an open fire creates and it will really turn your house into a home. These fireplaces are easy to operate and to clean. Units with ash pits that can be cleaned from the outside are available on request.



Single Sided Deep Built-in Fireplace

The deep version comes in models 700, 850 and 1050. These are normally installed into a medium to larger area, like living rooms, lounges and family rooms.

Single Sided									Heating Volume m ³
MODEL	A	B	C	D	E	F	G	H	WOOD ANTHRACITE
700 D	740	475	755	230	335	235	770	795	120
850	890	475	755	230	435	235	770	945	140
1050	1090	475	755	230	435	235	770	1145	160



New Shape 850 Built-in Fireplace

This version features an improved convection system with the trim plate available in Black mild steel as well as in Stainless Steel. The trim plate is detachable for easier installation and the unit has a flat top for easier insertion into existing cavities.

New Shape 850										Heating Volume m ³
MODEL	A	B	C	D	E	F	G	H	J	WOOD ANTHRACITE
850	845	480	755	1045	430	230	835	885	860	140



Grate basket and grid, ash drawer, insulation material and touch-up paint is standard issue with the whole range. Also included is a guarantee certificate and instruction manual.

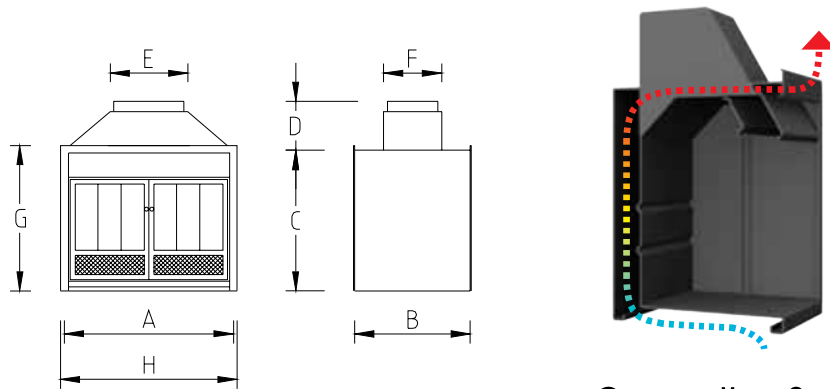


All models are available in 3CR12 or 304 stainless steel. Special order only.



Double Sided Deep Built-in Fireplace

This Double Sided version comes in models 800 and 1000. Both sides are fitted standard with glass doors to enable regulation of the direction of radiation heat. Utilising a double sided built-in fireplace as a room divider is a novel idea for optimal heat dispersion.



Convection System
Applicable to the whole range

Double Sided									Heating Volume m ³
MODEL	A	B	C	D	E	F	G	H	WOOD ANTHRACITE
800	920	595	755	195	395	305	835	990	180
1000	1120	595	755	195	495	305	835	1190	210



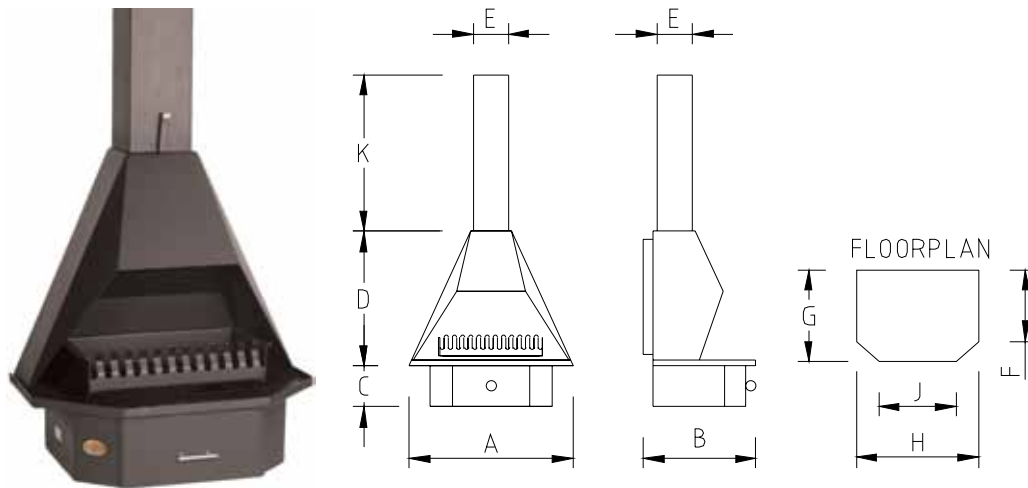
15 Year Warranty

Terms and conditions apply

Freestanding Fireplace Range

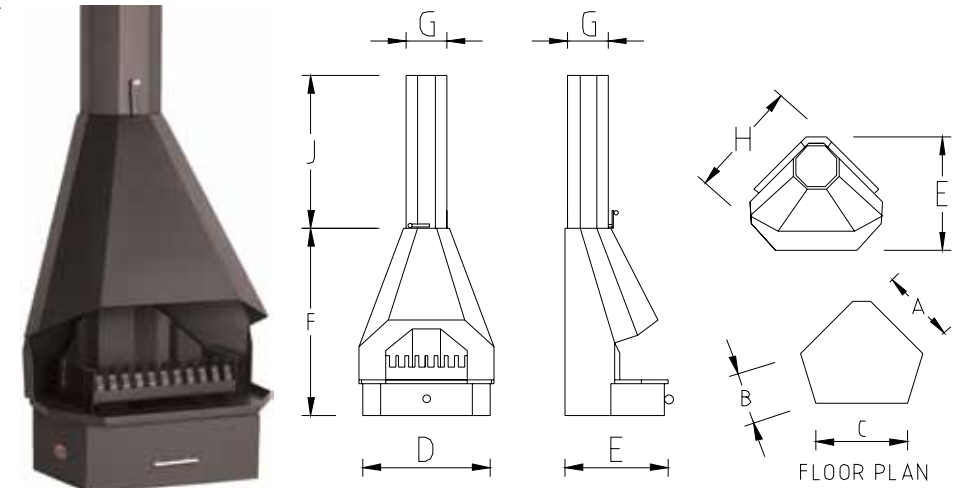
Freestanding units utilise minimum space and provide maximum heat by radiation and convection. Gazing at a lazy fire is a therapy for stress and is made more pleasurable by the large frontage of these units. Freestanding units are relatively easy to install in existing homes.

A large range of fireplace accessories is available which will enhance the beauty of your fireplace.



Wall Unit Freestanding Fireplace

Model 800. The standard freestanding unit is ideal for application against a straight wall. The large ash drawer in the foot piece makes cleaning an easy and less frequent task.





Victorian Corner Unit Freestanding Fireplace

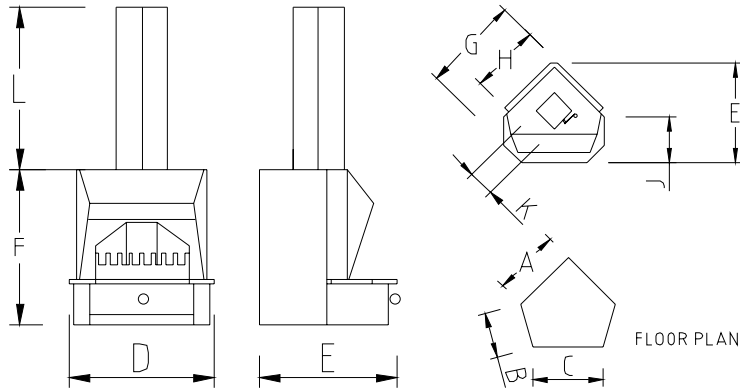
Model 800. The Victorian corner unit utilises minimum space and is out of the way in the summer months. The large ash drawer in the foot piece makes cleaning an easy and less frequent task.

Wall Unit										Heating Volume m ³	
MODEL	A	B	C	D	E	F	G	H	J	K	WOOD ANTHRACITE
800	805	550	200	660	180	350	460	605	380	3600	120

Victorian Corner Unit										Heating Volume m ³
MODEL	A	B	C	D	E	F	G	H	J	WOOD ANTHRACITE
800	400	310	515	665	700	1055	230	690	3600	120

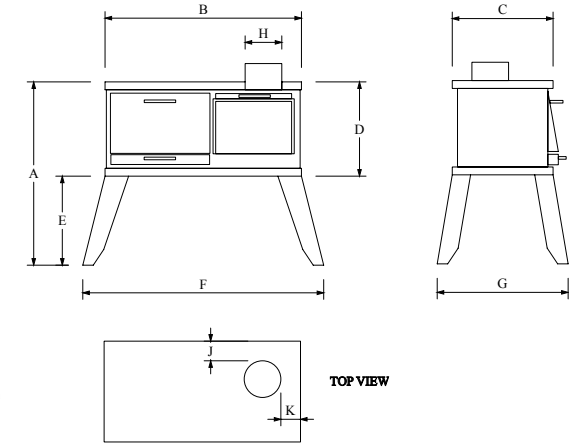
 3.6m Flue pipe, rotating cowl, escutcheon plate, grate basket, ash drawer, insulation material and touch-up paint is standard issue with the whole range. Also included is a guarantee certificate and instruction manual. 

All models are available in 3CR12 or 304 stainless steel. Special order only.



Corner Unit Freestanding Fireplace

Model 800. The Corner unit utilises minimum space and is out of the way in the summer months. The large ash drawer in the foot piece makes cleaning an easy and less frequent task.



Farm Stove

This woodfired cooking appliance can both be utilized as a kitchen appliance as well as a heating appliance for the cold winters. It has a rustic, basic and robust design.

Corner Unit											Heating Volume m ³	
MODEL	A	B	C	D	E	F	G	H	J	K	L	WOOD ANTHRACITE
800	470	310	510	710	730	760	680	520	350	180	3600	120

Farm Stove										
MODEL	A	B	C	D	E	F	G	H	J	K
750	700	750	385	360	340	920	500	150	75	75



Maluti Unit Freestanding Fireplace (without glass)

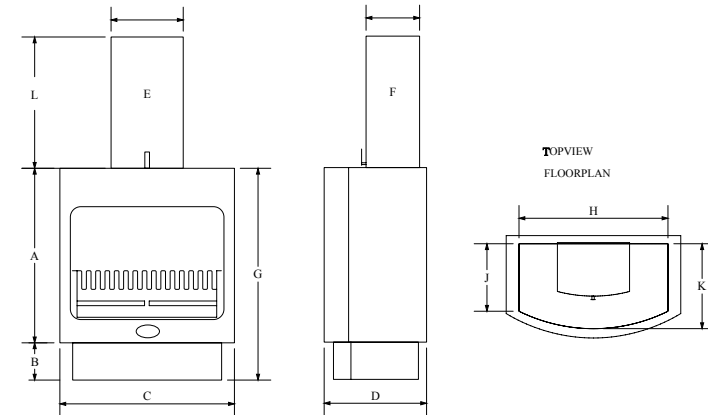
This contemporary fireplace is ideal for against a straight wall application. The large ash drawer in the foot piece makes cleaning an easy and less frequent task.



Maluti Unit Freestanding Fireplace (with glass)

(with glass)

Glass on the sides create a bigger view on the fire from all angles and improve the ambiance of this fireplace.

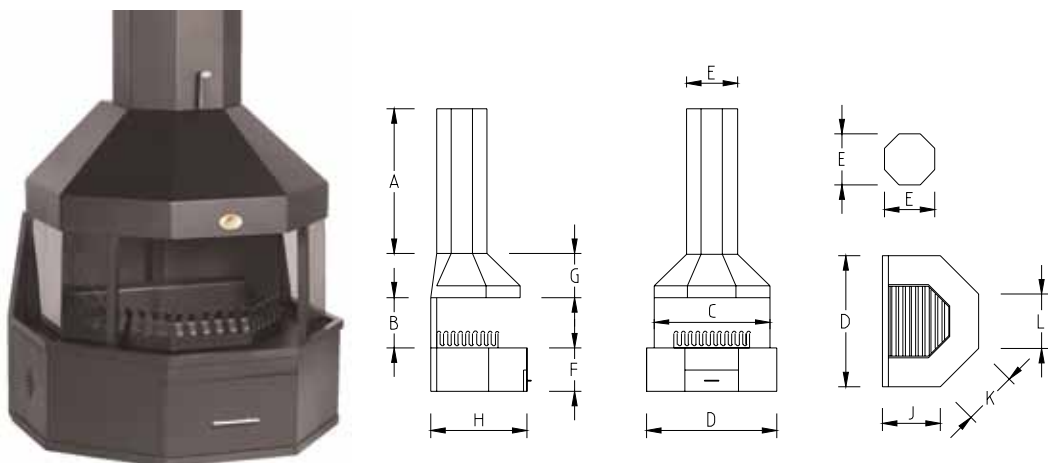


Maluti Unit (with and without glass)											Heating Volume m ³	
MODEL	A	B	C	D	E	F	G	H	J	K	L	WOOD ANTHRACITE
750	750	160	750	445	320	240	910	640	295	380	3600	140

Alpine Open Freestanding Fireplace Range

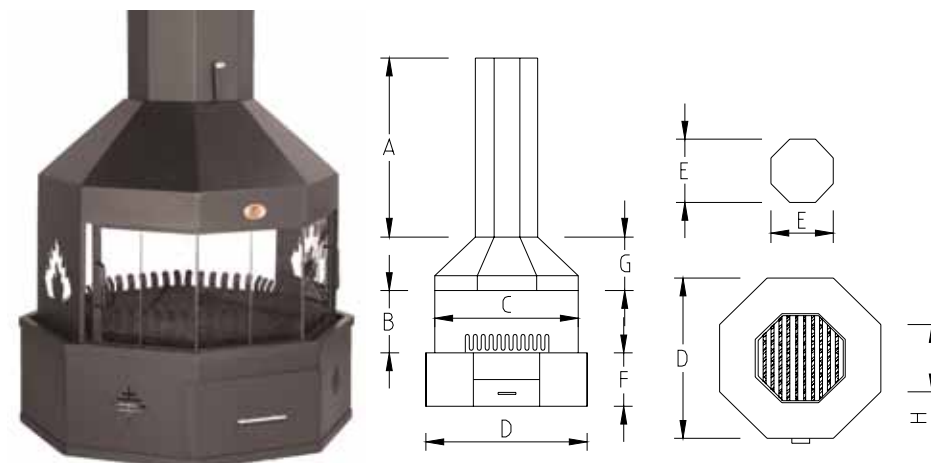
For many people, an open fireplace is the cosiest way to keep warm.

This unique fireplace, the Alpine, as originally designed by Home Fires, will really bring warmth to your home. You can now use this attractive and functional open fireplace as a room divider. The movable glass screen lends a mystical look to the fire and it enables you to direct radiated heat towards different room areas. Should you have a space problem, you can still enjoy this stunning fireplace by installing the half-round wall mounted unit.



Alpine Wall Unit Freestanding Fireplace

Model 800. The Alpine Wall unit is ideal for application against a straight wall. The large ash drawer in the foot piece makes cleaning an easy and less frequent task. The three sided glass shield is in this case divided in two sections.




Alpine Full Octagonal Unit Freestanding Fireplace

Model 800 and 1000. Utilising this Octagonal freestanding fireplace as a room divider is a novel idea for optimal heat dispersion. The direction of heat radiation can be controlled with the glass shield. An archway between two rooms can also make a nice setting for this unit. The large ash drawer in the foot piece makes cleaning an easy and less frequent task.

Alpine Wall Unit												Heating Volume m ³
MODEL	A	B	C	D	E	F	G	H	J	K	L	WOOD ANTHRACITE
800	3600	300	815	900	340	305	325	675	395	375	375	120

Alpine Full Octagonal Unit									Heating Volume m ³
MODEL	A	B	C	D	E	F	G	H	WOOD ANTHRACITE
800	3600	330	815	920	340	310	325	375	150
1000	3600	460	1025	1225	425	415	390	500	240

 3.6m Flue pipe, rotating cowl, escutcheon plate, grate basket, ash drawer, three sided glass shield, insulation material and touch-up paint is standard issue with the whole range. Also included is a guarantee certificate and instruction manual.



All models are available in 3CR12 or 304 stainless steel. Special order only.

Vent Free Gas Freestanding Fireplace Range

This vent free fire box is designed for freestanding installations against a wall.

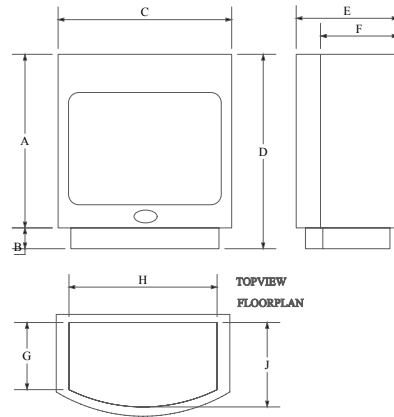
Please Note that we also offer burners with a white pebble or anthracite coal look, if a log fire look is not what you want. These pebble or coal effect burners have an output of 9kW and a gas consumption of 0.64 kg/hour.



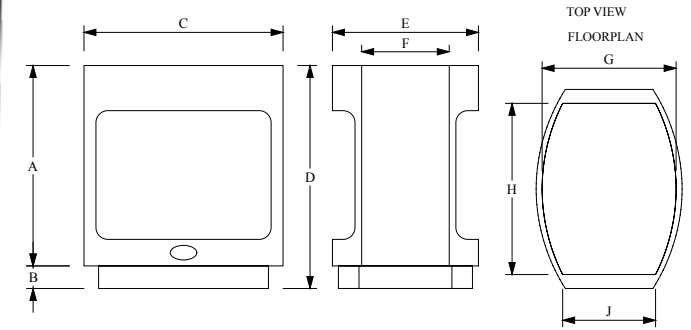
PEBBLE GRATE



COAL GRATE



LOGSET GRATE



Maluti Gas Box Vent Free 650

This vent free fire box is designed for freestanding installations against a wall. Mild Steel Façade.

Maluti Gas Box Ventfree Double Sided 760

This vent free fire box is designed for freestanding installations in the middle of the floor or between two rooms used as a room divider. Mild Steel Façade.

Maluti Gas Box Vent Free 650

Heating Volume m³

MODEL	A	B	C	D	E	F	G	H	J	PEBBLE/COAL
650	700	70	650	780	410	335	290	500	350	196

Maluti Gas Box Ventfree Double Sided 760

Heating Volume m³

MODEL	A	B	C	D	E	F	G	H	J	LOGSET
760	755	85	760	840	550	330	505	645	350	380



Vent Free Gas Freestanding Fireplace Range



PEBBLE GRATE



COAL GRATE



LOGSET GRATE

Maluti Gas Box Vent Free 760

This vent free fire box is designed for freestanding installations against a wall. Mild Steel Façade.



PEBBLE GRATE



COAL GRATE



LOGSET GRATE

Maluti Gas Box Ventfree 760 + Side Glass

This vent free fire box is designed for freestanding installations against a wall. Mild Steel Façade.



PEBBLE GRATE



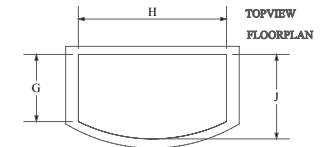
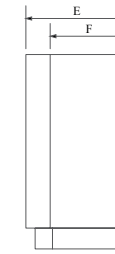
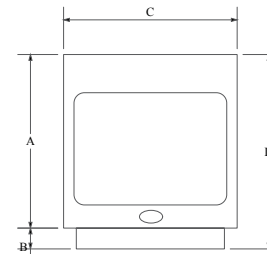
COAL GRATE



LOGSET GRATE

Maluti Gas Box Vent Free 760

This vent free fire box is designed for freestanding installations against a wall. Stainless Steel Façade.



Maluti Gas Box Vent Free 760

Heating Volume m³

MODEL	A	B	C	D	E	F	G	H	J	PEBBLE/COAL/LOGSET
760	750	90	760	840	440	335	290	640	365	Pebble/Coal 324 Logset 350

Vent Free Gas Freestanding Fireplace Range



PEBBLE GRATE



COAL GRATE



LOGSET GRATE

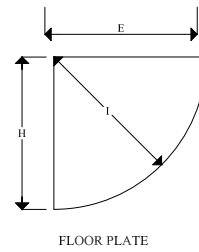
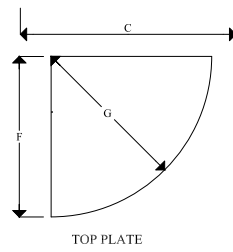
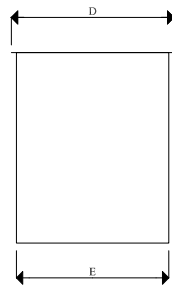
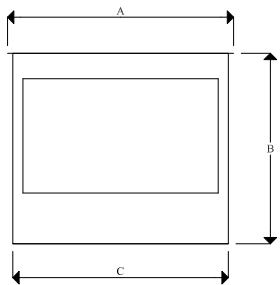
Panoramic Corner Gas Box Vent Free 600

This vent free fire box is designed for freestanding installations against a wall. Mild Steel Façade.

Panoramic Corner Gas Box Vent Free 600

Heating Volume m³

MODEL	A	B	C	D	E	F	G	H	J	PEBBLE/COAL/LOGSET
600	890	750	850	640	600	632	632	600	600	Pebble/Coal 196
										Logset 350



Vent Free Gas Built-in Fireplace Range



PEBBLE GRATE



COAL GRATE



LOGSET GRATE



PEBBLE GRATE



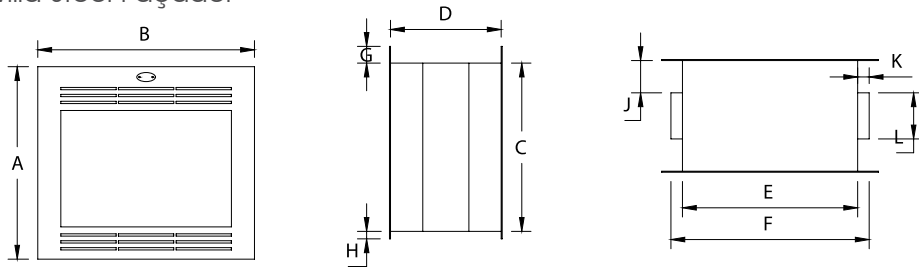
COAL GRATE



LOGSET GRATE

Double B/I Gas Box Vent Free 940

This vent free fire box is designed for built-in installations in the middle of the floor or between two rooms used as a room divider.
Mild Steel Façade.



Double B/I Gas Box Vent Free 940

This vent free fire box is designed for built-in installations in the middle of the floor or between two rooms used as a room divider.
Stainless Steel Façade.

Double B/I Gas Box Vent Free 940											Heating Volume m ³	
MODEL	A	B	C	D	E	F	G	H	J	K	L	PEBBLE/COAL/LOGSET
940	835	940	760	480	765	870	50	25	135	50	205	Pebble/Coal 400
												Logset 380



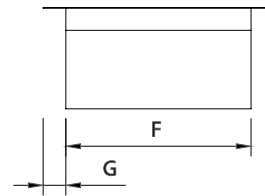
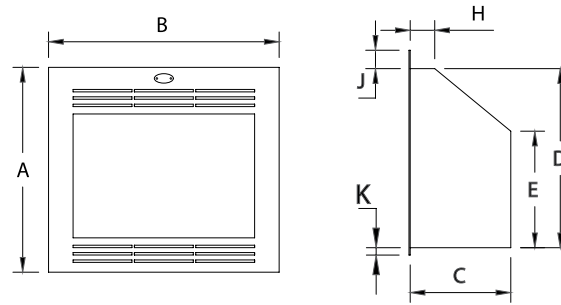
Vent Free Gas Built-in Fireplace Range



PEBBLE GRATE



COAL GRATE



Gas Box Vent Free 740

This vent free fire box is designed for built-in installations into a wall. Mild Steel Façade.

Gas Box Vent Free 740

Heating Volume m³

MODEL	A	B	C	D	E	F	G	H	J	K	PEBBLE/COAL
740	775	740	410	665	425	600	70	100	85	30	196



Vent Free Gas Built-in Fireplace Range



PEBBLE GRATE



COAL GRATE



LOGSET GRATE



PEBBLE GRATE



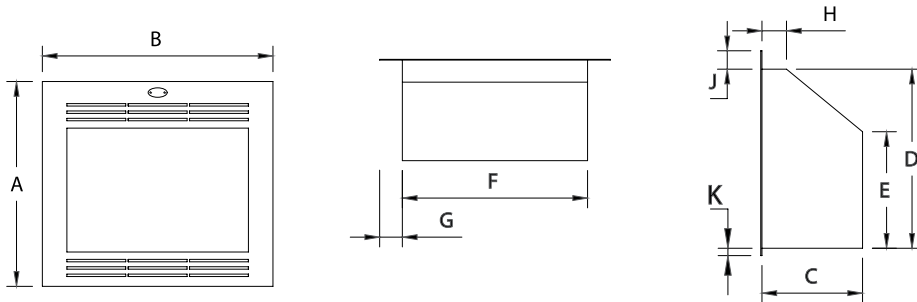
COAL GRATE



LOGSET GRATE

Built-in Gas Box Vent Free 940

This vent free fire box is designed for built-in installations into a wall. Mild Steel Façade.



Built-in Gas Box Vent Free 940

This vent free fire box is designed for built-in installations into a wall. Stainless Steel Façade.

Firebox Vent Free 940

Heating Volume m³

MODEL	A	B	C	D	E	F	G	H	J	K	PEBBLE/COAL/LOGSET
940	835	940	410	730	475	760	90	100	75	30	Pebble/Coal 324 Logset 350



Vent Free Gas Built-in Fireplace Range



PEBBLE GRATE



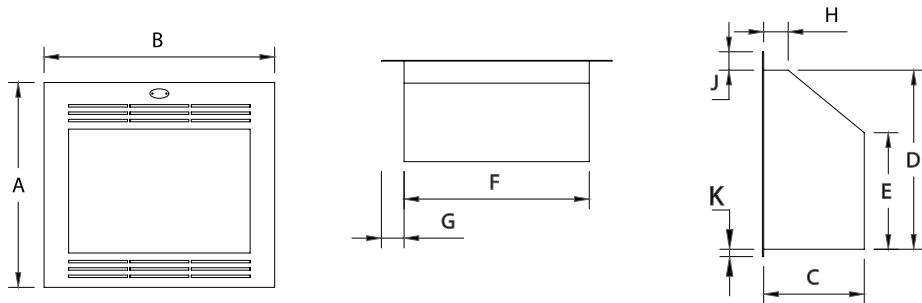
COAL GRATE



LOGSET GRATE

Built-in Gas Box Vent Free 1090

This vent free fire box is designed for built-in installations into a wall. Mild Steel Façade.



PEBBLE GRATE



COAL GRATE



LOGSET GRATE

Built-in Gas Box Vent Free 1090

This vent free fire box is designed for built-in installations into a wall. Stainless Steel Façade.

Firebox Vent Free 1090

Heating Volume m³

MODEL	A	B	C	D	E	F	G	H	J	K	PEBBLE/COAL/LOGSET
1090	935	1090	450	835	575	910	90	100	85	40	Pebble/Coal 324 Logset 380



Log Set Products Range

NO SOOT, NO ASH, NO SMOKE, NO MESS - JUST LIKE A REAL FIRE... ONLY BETTER

Log set products

All the warmth of a real wood fire with Natural Flames, hand crafted beautifully realistic logs that never burn down and with glowing ember effect.

Warming Homes for over 60 years

All Real-Fyre Gas Logs are detailed with high definition bark and natural colours for authentic wood realism. Real-Fyre gas Logs are manufactured using stringent standards and the most advanced technology and are the most realistic vent free log sets on the market today. All Real-Fyre gas logs offer 99% efficiency and reliability. A full natural flame that uses a minimum of gas offers money-saving fuel efficiency. You burn them with the damper closed putting all the heat in to your room. No electricity is needed for reliable supplementary heating. All Real-Fyre gas logs sets include an Oxygen Depletion Sensor (ODS) for safe vent-free operation and is certified by the LP Gas Association of South Africa and designed to the highest international CSA Safety standards.

Please Note that we also offer burners with a white pebble or anthracite coal look, if a log fire look is not what you want. These pebble or coal effect burners have an output of 9kW and a gas consumption of 0.64 kg/hour.

All Vent Free Gas burners distributed by Home Fires can according to minimum certified dimension, be installed in the following fireplaces:

- An existing solid fuel burning masonry fireplace
- A pre-fabricated steel solid fuel burning fireplace
- An approved universal Vent Free fireplace box (Built-in or Freestanding)
- The use of vent free fireplaces in bedrooms and bathrooms is not allowed
- Please adhere to minimum room sizes

We offer Vent free fireboxes to house the burner of your choice in the following format:

- Freestanding; either corner or wall units
- Built-in; either single sided or double sided
- All fire boxes available in 3CR12 steel or 304 Stainless Steel on special order only

Please note that all vent free products must be installed by a qualified gas installer!
Natural Gas units are available on special order.



G9 - Split Oak



G9 - Split Oak Designer See-thru



Log Set Products Range



Coals



Pebbles



Double Sided Coals

The G9 Gas Log Sets

Clean Burning and Safe. All sets are rated at maximum 36,000 BTU. This is the cleanest burning loose ember vent-free Log set on the market! Standard equipped with an Oxygen Depletion Sensor (ODS). Available in 610mm size, single sided and see thru.

LOGSET	Size	Max BTU	Max KW	Manual	On/Off Remote	Minimum Room Size	Maximum Room Size	Low Gas	High Gas Consumption
G9 Split Oak (S9)	610mm	36000	10,55	x	475	150m ³	350m ³	370g/h	670g/h
G9 See-Thru (S9-2)	610mm	38000	11,14		x	160m ³	380m ³	580g/h	830g/h
G9 Split Oak (S9) 30"	762mm	36000	10,55	x	x	150m ³	350m ³	370g/h	670g/h

PRODUCT WARRANTY

- Peterson Real-Fyre® Vent Free Gas Log Warranty
- All Real-Fyre® Vent Free Refractory Ceramic Gas Logs are covered by a lifetime warranty (as long as you own them)
- All Real-Fyre® Vent Free burner component parts, except the ember bed, valves, pilots, and controls are covered by a ten (10) year warranty
- All Real-Fyre® valves, pilots and controls are covered by a one (1) year warranty

CERTIFICATION TEST RESULTS:

All Real-Fyre® Vent Free Gas Log sets offered by Home Fires have been certified by the LP Gas Safety Association of South Africa in accordance with SANS 1539:2012 "Appliances operating on liquefied petroleum - Safety Aspects". The results from the tests conducted on the Real-Fyre® Vent Free fireplace for the CO:CO₂ mass ratio reflected a CO:CO₂ mass ratio of 0.0030, which is well below the permissible concentrations of 0.01% as stipulated by SANS 1539:2012



Fireplace Accessories



Round Stainless Steel Chimney Flue System

Technical Data

The Home Fires Double walled insulated stainless steel flue system is suitable for all applications in negative pressure. It is designed for use with all oil, pellet, wood, coal domestic and commercial appliances.

The Chimney System can be used for gas or wood stoves, fireplace stoves, furnaces, boilers, or other residential-type appliances and building heating appliance in which the maximum continuous flue-gas outlet temperatures do not exceed 600 deg. It may also be used for masonry fireplaces.

The Chimney Systems are not designed for forced draft, positive-pressure appliances.

Classification: T600-N1-D-Vm-L50050-G50 and T600-N1-D-Vm-L20050-G50

Working Temperature: ≤ 600°C

Working Pressure: Negative pressure up to 40Pa or natural draft.

Condensate resistance class: Dry

Corrosion Resistance class: Vm (Manufacturer self declared as suitable for the application based on the product history and historical performance in the field)

Material for Double walled insulated stainless steel elements:

Inside: 0.5mm thick 304 stainless steel

Outside: 0.5mm thick 304 stainless steel

Insulation: Superwool Plus of 25mm thickness and 128kg/m³ Alkaline earth silicate. A light an flexible blanket, made of spun ceramic fibers. This is a high density insulation, resisting up to 1260°C. This is considered a Non-Combustible product, completely inorganic, with high resistance insulation. Low contraction and also low capacity for heat absorption and a total resistance to thermal changes. The superwool is eco and environmental friendly. No adverse effects of this material on the environment are anticipated.

Material for the Single walled unpainted mirror finished stainless steel elements:

0.6mm thick 316L stainless steel

Material for the Single walled black wet painted finished stainless steel elements:

0.8mm thick 304 stainless steel. Forrest paint is used to paint the stainless steel black. The paint is temperature resistant up to 629°C. The double insulated elements are powdercoated with a Axalta product. All the elements has a continuous TIG welded seam.

Soot fire resistance: G50 (50mm minimum distance to combustible material for the double walled insulated elements only)

Available diameters:

Double walled insulated elements:	Single walled un-insulated elements:	Straight pipe lengths available:
1.125mm/185mm diameter	1.125mm diameter	1.300mm long
2.150mm/210mm diameter	2.150mm diameter	2.500mm long
3.200mm/260mm diameter	3.200mm diameter	3.1000mm long

Installations

- Always start the assembly by joining the first pipe with the appliance connector or spigot. It is important to insert the male end of the flue pipe into the spigot.
- Assembling double walled insulated pipes by:
 - Ensure that the parts are clean and not damaged at the edges.
 - You can apply lubrication paste to the male end of the inner pipe.
 - Bring the two pipes to be joint together and insert the male end into the female end of the two elements.
 - Push the two pipes together by hand.
 - Tap the top pipe to ensure correct seating of the joint, while ensuring that you do not damage the edge of the pipe that you are tapping. Light tapping only with a rubber mallet.
 - Fit and lock the locking band.
- The chimney should be installed with a minimum of horizontal runs and offsets. 45 degree bends as well as 90 degree bends can be used to create offsets. For a 45 degree offset, the distance between the two 45 degree bends should not exceed 20% of the total vertical height of the chimney.
- From the outside of a double walled insulated pipe, a 50mm minimum clearance must be maintained from combustible materials.
- From the outside of a single walled un-insulated pipe a 300mm minimum clearance must be maintained from combustible materials.
- The chimney diameter should never be reduced to less than the diameter specified by the appliance manufacturer, in some cases this may involve an increase in diameter from the appliance spigot, by utilizing an adaptor.
- Ensure chimney termination has adequate clearance from the roof of the building. Do not allow by-products of combustion to be discharged when they can enter an opening window or ventilation inlet.
- It is good practice to install a minimum vertical rise of 600mm on to an appliance before fitting a bend, to create an offset.
- The chimney should be adequately supported. A full range of support brackets are available. Lateral support brackets should be installed at 2m intervals.
- All exposed elements to rain and cold weather, should always be double walled insulated elements.
- Provision for inspection/sweeping must be made.
- Install a cowl to terminate the chimney stack. A cowl will also keep rain out of the system.
- The above notes are an outline only of some of the aspects of good chimney installations.

Round Stainless Steel Chimney Flue System

Chimney Maintenance

• Importance of maintenance

Appropriate operation and maintenance will keep your chimney clean and increase chimney life. Gas and oil burning appliance may need little maintenance, but wood burning appliance such as a wood stove which can create large deposits of creosote in the chimney need maintenance. Some wood stoves can create enough creosote in a very short time to cause a chimney fire.

• Creosote and Soot – The formation and why must it be removed regularly

When wood is burning slowly, it produces a tar and other organic vapours, which combine with expelled moisture to form creosote. The creosote vapours condense in the relatively cool chimney flue of a slow-burning fire. As a result, creosote residue accumulates on the flue lining. When ignited this creosote makes an extremely hot fire.

The chimney should be inspected at least once during the heating season to determine if a creosote or soot build-up has occurred; if creosote or soot has accumulated (when a maximum of 6mm thickness of creosote or soot has accumulated), it should be removed to reduce the risk of chimney fire.

• Coal and anthracite

To reduce corrosion in the chimney where coal and anthracite is burned, the system must be thoroughly cleaned within 48 hours of shutting down the appliance for the season, and all soot should be removed from the chimney system.

• How to clean

Contact a professional certified chimney sweep for chimney cleaning services for advice, if you have any doubts about your ability to clean your chimney system; If you want to clean your chimney yourself, then; clean your chimney using a Plastic, wood or steel brush. Do not use a brush that will scratch the stainless steel liner of the chimney. The use of an oversize brush may damage the chimney.

Do not expect chemical chimney cleaners to keep your chimney clean. It cannot replace the mechanic cleaning. Use it only as last resort and make sure it is a product that is noncorrosive.

The tee cap can be removed by unlocking the locking band and then turning counter-clockwise to clean from the bottom. Be sure to replace the tee cap and locking band when you are finished cleaning the chimney.

• Chimney fire

If a chimney fire occurs,

1. First close all dampers and/or air inlet openings to your appliance and fireplace opening with a non-combustible material,
2. Alert your family to the possible danger. If in doubt, call your Fire Department



Round Stainless Steel Chimney Flue System



Round Chimney Flue Elements

- 1 High wind cowl for double insulated black stainless pipe
- 2 High wind cowl for double insulated stainless steel pipe
- 3 Pipe locking band black stainless
- 4 Pipe locking band stainless steel
- 5 Roof support bracket black stainless steel
- 6 Roof support bracket stainless steel
- 7 Single wall black stainless steel pipe 0.3 m length
- 8 Single wall black stainless steel pipe 0.5m length
- 9 Single wall black stainless steel pipe 1m length
- 10 Single wall stainless steel pipe 0.3 m length
- 11 Single wall stainless steel pipe 0.5m length
- 12 Single wall stainless steel pipe 1m length
- 13 Storm collar black stainless steel
- 14 Storm collar stainless steel
- 15 T-piece for double insulated black stainless steel pipe
- 16 T-piece for double insulated stainless steel pipe
- 17 T-piece for single wall black stainless steel pipe
- 18 T-piece for single wall stainless steel pipe
- 19 Triangular support bracket black stainless steel
- 20 Triangular support bracket stainless steel
- 21 Wall base support bracket black stainless steel
- 22 Wall base support bracket stainless steel
- 23 Wide pipe locking band black stainless steel
- 24 Wide pipe locking band stainless steel
- 25 45 degree bend for double insulated black stainless steel pipe
- 26 45 degree bend for double insulated stainless steel pipe
- 27 45 degree bend for single wall black stainless steel pipe
- 28 45 degree bend for single wall stainless steel pipe
- 29 90 degree bend for single wall black stainless steel pipe
- 30 90 degree bend for single wall stainless steel pipe
- 31 Adjustable Wall bracket black Stainless steel
- 32 Adjustable Wall bracket Stainless steel
- 33 Appliance adaptor black stainless steel
- 34 Appliance adaptor stainless steel
- 35 Ceiling plate 45 degrees for black pipe
- 36 Ceiling plate 45 degrees for stainless steel pipe
- 37 Ceiling plate round for black pipe
- 38 Ceiling plate round for stainless steel pipe
- 39 Double insulated black stainless steel pipe 0.35m length
- 40 Double insulated black stainless steel pipe 0.55m length
- 41 Double insulated black stainless steel pipe 1.065m length
- 42 Double insulated stainless steel pipe 0.35m length
- 43 Double insulated stainless steel pipe 0.55m length
- 44 Double insulated stainless steel pipe 1.065m length
- 45 Endcap in black stainless steel for insulated pipe
- 46 Endcap in stainless steel for insulated pipe



Home Fires (Pty) Ltd

6 Field Street, Worcester

P O Box 873, Worcester, South Africa

Tel (023) 342 3330 - Fax (023) 342 5940

Tel(Int.) +27 23 342 3330 - Fax (Int.) + 27 23 342 5940

Email: manufacturing@homefires.co.za

Website: www.homefires.co.za

Home Fires Tvl (Pty) Ltd

1306 South Street, Centurion

P O Box 7325, Centurion, 0046, South Africa

Tel (012) 663 3911 - Fax (012) 663 3991

Tel(Int.) +27 12 663 3911 - Fax (Int.) + 27 12 663 3991

Email: homefires@homefires.co.za

Website: www.homefires.co.za

Whilst every endeavour will be made to supply the goods illustrated in this catalogue, any photograph, description, specification or illustration generally represents Home Fires' goods offered. They do not constitute a sale by description. Home Fires reserves the right to supply similar but not identical goods to those illustrated.

This brochure, and the contents thereof, remain the property of Home Fires, and may not be copied or reproduced in any way © 2020.

Distributor

