



Available colours

* Selected colours are available on request only; Please confirm stock availability.

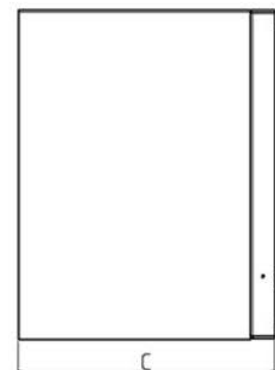
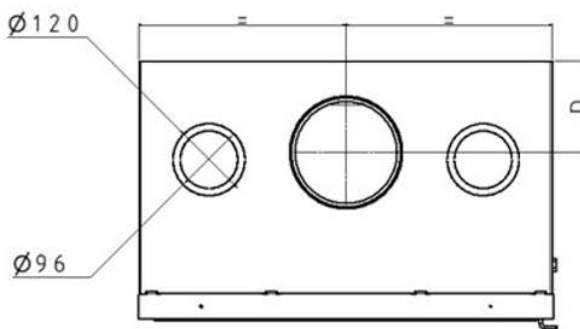
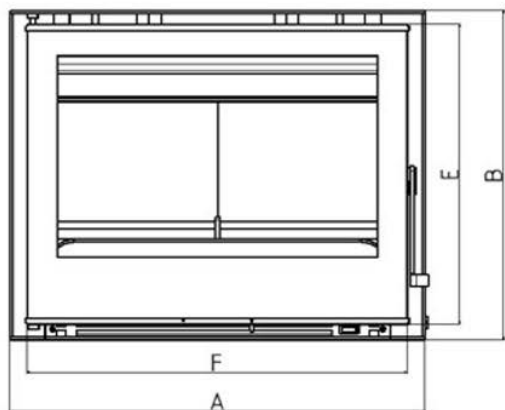


Output range Kw	8.4-14.3
Eco Design 2022 / Nom. Kw	8.4
Heating Capacity m³	433
Nominal Efficiency %	81
Type	Built-In
Fuel Type	Wood
Max load / Nom. Cons. Kg/h	2
Brand	C&A Chama
Category	Traditional Wood
Flue ø	180
Flue exit	Top
WxDxH mm	780 x 477 x 548
Weight Kg	131
Hopper capacity Kg	-
Finish	Steel
Ash tray	Yes
Glass cleaning air flow	Yes
Convection type	Natural, Opt. Forced
Multifire System	-
Dual power system	-
Ductable	-
Power settings	-
Remote control	-
Energy saving mode	-
Humidifier	-
Warranty	5 Yr. Structural Steel 2 Yr. Elec. & Mech.

* All warranties are subject to CRMS registration.



	A	B	C	D	E	F	Ø FLUE
FIREBOX CRISTAL 78	780	548	477	151	487	723	180



*Unit of measure and model dimensions may vary. E&OE.