



**Available colours**

\* Selected colours are available on request only; Please confirm stock availability.

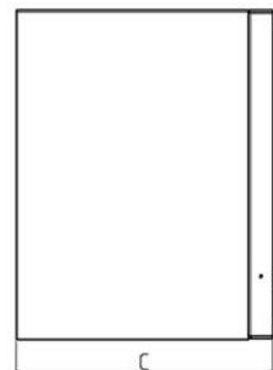
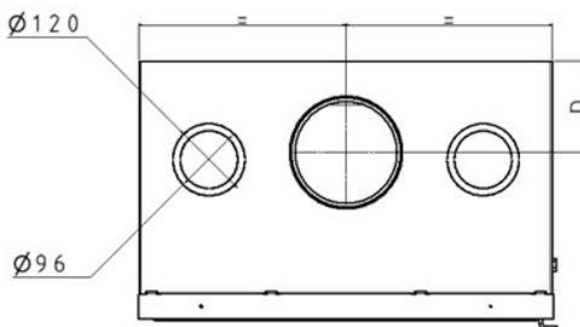
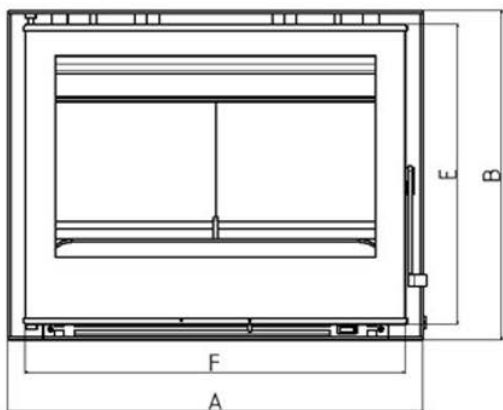


<b>Output range   Kw</b>	9.4-15.5
<b>Eco Design 2022 / Nom.   Kw</b>	9.4
<b>Heating Capacity   m<sup>3</sup></b>	470
<b>Nominal Efficiency   %</b>	78
<b>Type</b>	Built-In
<b>Fuel Type</b>	Wood
<b>Max load / Nom. Cons.   Kg/h</b>	2.5
<b>Brand</b>	C&A Chama
<b>Category</b>	Traditional Wood
<b>Flue ø</b>	200
<b>Flue exit</b>	Top
<b>WxDxH   mm</b>	980 x 477 x 552
<b>Weight   Kg</b>	161
<b>Hopper capacity   Kg</b>	-
<b>Finish</b>	Steel
<b>Ash tray</b>	Yes
<b>Glass cleaning air flow</b>	Yes
<b>Convection type</b>	Natural, Opt. Forced
<b>Multifire System</b>	-
<b>Dual power system</b>	-
<b>Ductable</b>	-
<b>Power settings</b>	-
<b>Remote control</b>	-
<b>Energy saving mode</b>	-
<b>Humidifier</b>	-
<b>Warranty</b>	5 Yr. Structural Steel 2 Yr. Elec. & Mech.

\* All warranties are subject to CRMS registration.



	A	B	C	D	E	F	Ø FLUE
FIREBOX CRISTAL 98	980	552	477	161	487	923	200



\*Unit of measure and model dimensions may vary. E&OE.