



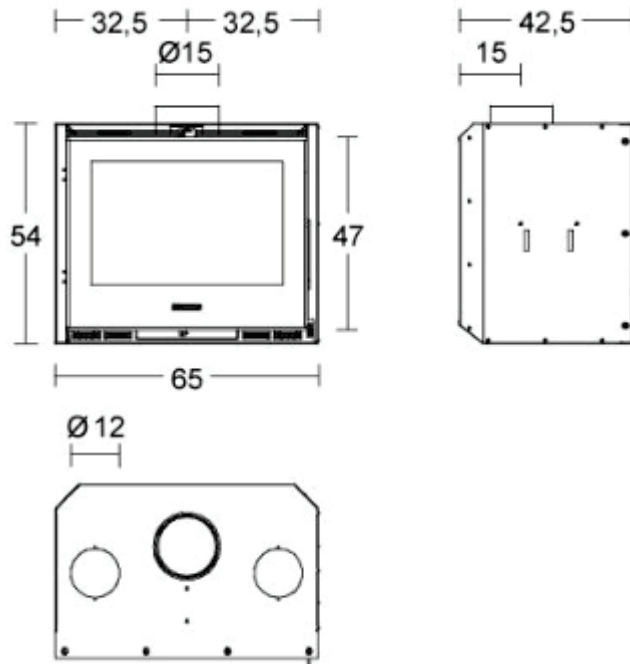
**Available colours**

\* Selected colours are available on request only; Please confirm stock availability.



<b>Output range   Kw</b>	3.3-7
<b>Eco Design 2022 / Nom.   Kw</b>	7
<b>Heating Capacity   m<sup>3</sup></b>	200
<b>Nominal Efficiency   %</b>	78.1
<b>Type</b>	Built-In/Insert
<b>Fuel Type</b>	Wood
<b>Max load / Nom. Cons.   Kg/h</b>	2
<b>Brand</b>	Piazzetta
<b>Category</b>	Traditional Wood
<b>Flue ø</b>	150
<b>Flue exit</b>	Top
<b>WxDxH   mm</b>	650 x 425 x 540
<b>Weight   Kg</b>	110
<b>Hopper capacity   Kg</b>	-
<b>Finish</b>	Steel, Aluker®
<b>Ash tray</b>	Yes
<b>Glass cleaning air flow</b>	Yes
<b>Convection type</b>	Forced
<b>Multifire System</b>	-
<b>Dual power system</b>	-
<b>Ductable</b>	-
<b>Power settings</b>	-
<b>Remote control</b>	-
<b>Energy saving mode</b>	-
<b>Humidifier</b>	-
<b>Warranty</b>	5 Yr. Structural 2 Yr. Elec. & Mech. 10 Yr. Parts Availability

\* All warranties are subject to CRMS registration.



\*Unit of measure and model dimensions may vary. E&OE.