

AVIN

FOOD • FAMILY • FRIENDS

Residential VS Commercial

A Residential Unit

A residential unit is a unit that can be used daily. Every afternoon/every night if you wish. However, a residential unit is not manufactured to operate 24/7/365.

A Commercial Unit

A commercial unit is the hardest worker of the range - a unit that can be used daily – none stop. 24/7/365.

AVIN is a cook and bake anything appliance, many chefs have replaced all their equipment with an AVIN.

The commercial range, like the above residential range, also has a “fully welded AVIN chamber”, that is still manufactured with high quality/high grade stainless steel, twice the thickness. The commercial range, has a similar stainless included in the design. One that is specifically used in furnaces, burners, kilns, gas turbines etc.

Above the fire you are also looking at a second skin (replaceable fire protection plate) of the same material for extra protection of the AVIN chamber – where the direct heat is located.

304 VS 316 Grade Stainless Steel

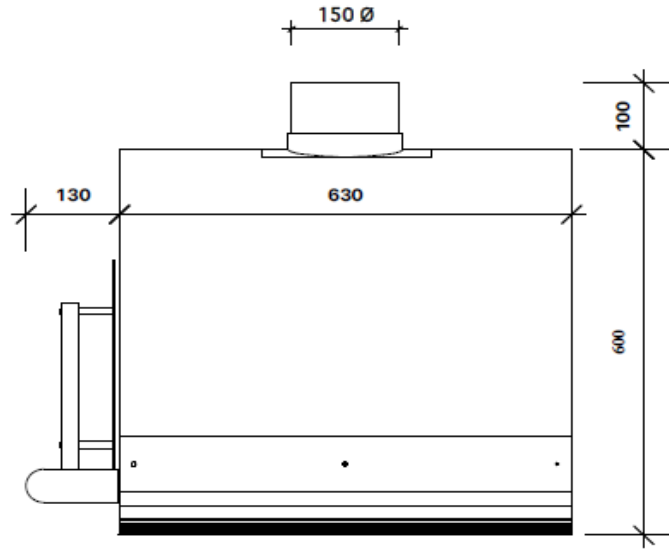
It goes without saying that the corrosion (rust) question is often a major concern for customers.

Our Standard manufactured range (304 grade stainless reference), are of an incredible quality itself. We use thick materials, high grade and the best quality. With love and care and following all guidelines, nothing will hurt the product, not even the coast.

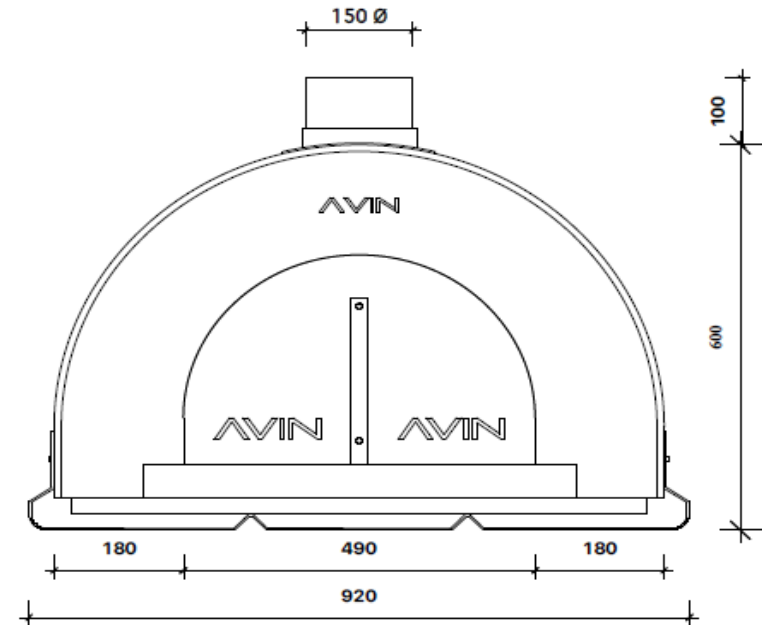
The only thing we do find with certain coastal areas, is that there always seems to be that little sandy-salt-layer than tends to form on just about anything you have outside, because of the area, sand, sea, wind etc. So, for the coastal areas, we do a FULL 316 stainless steel, for that extra piece of mind and upon request. Grade 316 is specifically meant for areas such as this. It is very important to know though, that should you go with the standard manufactured options that we have, its merely a case of taking care of the Oven. Indoors in a coastal area is 100% as well.

AVIN follows a strict production process and quality control. Materials are tested constantly ensuring we provide the customer with nothing but the best. This is really a case of getting exactly what you pay for. Keeping the condition of your AVIN is achieved with love, care and regular cleaning as per our instructions, do this and we guarantee that there will be no alteration in appearance.

Standard AVIN Specs



RIGHT SIDE VIEW
scale 1:12



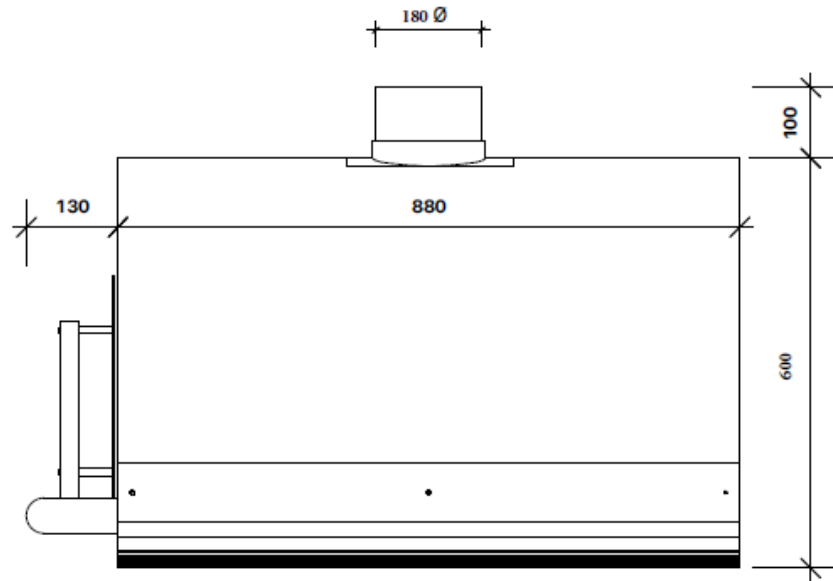
FRONT VIEW
scale 1:12

- Outside dimensions - 920mm W x 630mm L
- Inside Dimensions - 700mm x 465mm
- Door opening: 260mm x 400mm
- Fits 2 standard large (30cm) pizzas/2 x baking trays
- 120.5 kgs

Standard AVIN Flue extension specs for installation

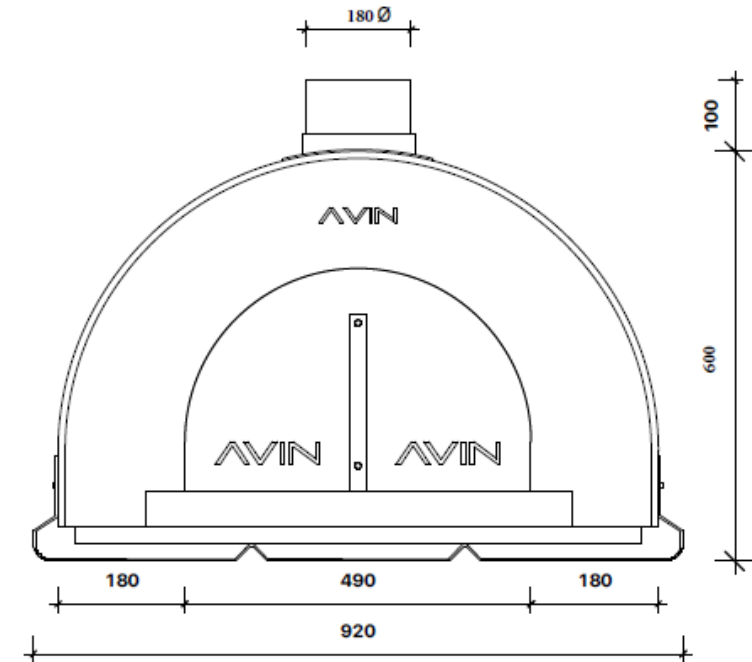
- Inside diameter 100mm
- Outside diameter 150mm
- Ceiling/wall cut size 180mm
- Chimney exit/flue connection located in centre of AVIN : $630/2 = 315$

Large AVIN Specs



RIGHT SIDE VIEW

scale 1:12



FRONT VIEW

scale 1:12

- Outside dimensions - 920mm W x 880mm L
- Inside Dimensions - 700mm x 700mm
- Door opening: 260mm x 400mm
- Fits 4 standard large (30cm) pizzas/4 x baking trays
- 150 kg res – commercial at 166kg

Large AVIN Flue extension specs for installation

- Inside diameter 130mm
- Outside diameter 180mm
- Ceiling/wall cut size 200mm
- Chimney exit/flue connection located in centre of AVIN : $880/2 = 440$

Accessories



Trolleys

Standard or
Large/optional Black

STD: 720mm (W) 1m (L) 1.5m (H)
36 kilos

LRG: 920mm (W) 1m (L) 1.5m (H)
- 43 kilos

Wooden side table included in
specs / removable slide slot
system



Covers

Weatherproof

Available in
BLACK/GREY/OLIVE
GEEN/SAND

Ripstop material/ Valcro/
draw string/ double stitched



Boards/Cutters/Gloves

Branded

Kalahari Black wood

Stainless steel

Silicone Rubber



Glass Doors

Robax Certified

Engineered with a superior
margin of safety

Extremely heat resistant,
functional robust and tough

Elegant slots created for
sufficient air intake